



**HYDRAJAWS<sup>®</sup>**  
LIMITED

**Model 2000**

# Oil Refilling Instructions



Connecting and disconnecting Gauges from the Tester body will eventually use up the spare oil capacity and will not allow the tester plunger to travel it's full stroke or give an accurate reading on the Gauge.

**NOTE:** A tester with a fixed gauge cannot be filled with oil by the operator.

## To replenish the oil level:

1. Remove bridge and all accessories.
2. Secure the tester (e.g. in a vice) with the coupler in the vertical position.
3. Connect the oil bottle via the quick release coupler.
4. Remove bottle cap. (Fig.1)
5. Turn the handle anti-clockwise a few turns.
6. Pull on the Turning Handle (or piston key if supplied - see fig.3) until the front of the Stainless Piston is 10mm from the end of the Body. This will draw oil from the bottle. (Fig.2)
7. Push the piston back in fully, pull out again and repeat until all the air bubbles are expelled into the bottle, the oil is replenished, and piston is 10mm from face of the Body.
8. Remove oil bottle.

Fig.1

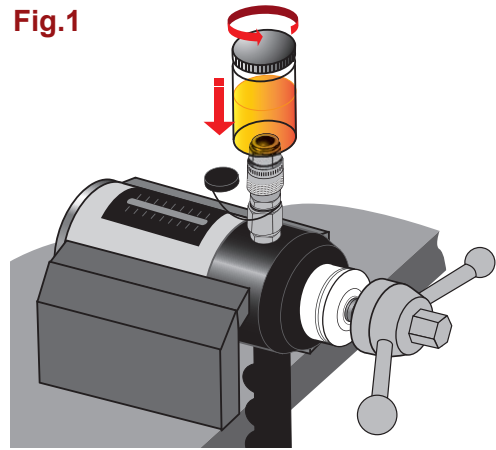
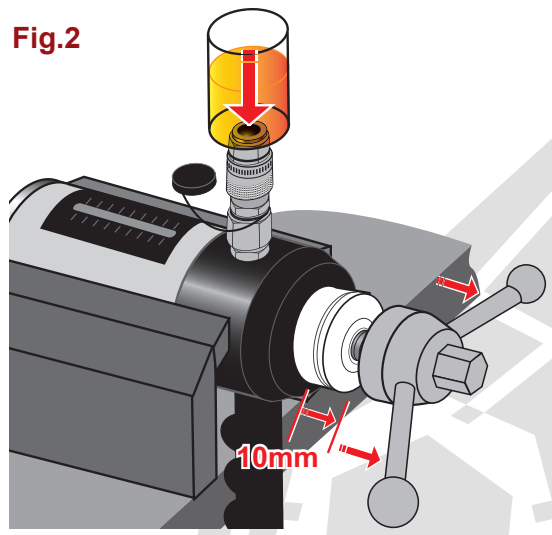


Fig.2

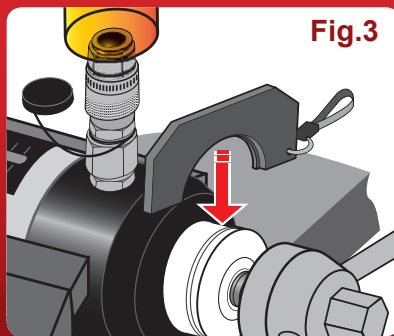


**Ensure not to pull the piston out further than 15mm.**

### Note:

Testers manufactured after September 2011 are supplied with a piston key to aid pushing and pulling the piston. Check for a groove in the piston and insert the key. Ensure the piston key outer slot is nearer the piston body (Fig.3).

Fig.3



Recommended oil:  
**Light Mineral  
DTE Type**



**HYDRAJAWS<sup>®</sup>**  
LIMITED

20/21 The Courtyard, Gorsey Lane, Coleshill, Birmingham B46 1JA  
Tel: +44 (0)1675 430 370 Fax: +44 (0)1675 465 950  
www.hydrajaws.co.uk email: tester@hydrajaws.co.uk

