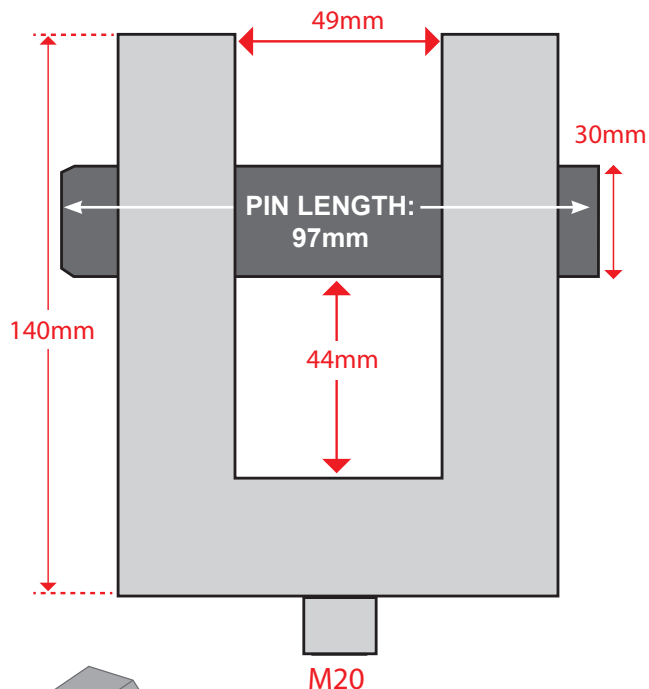


# HYDRAJAWS® CLEVIS RANGE AND SIZES



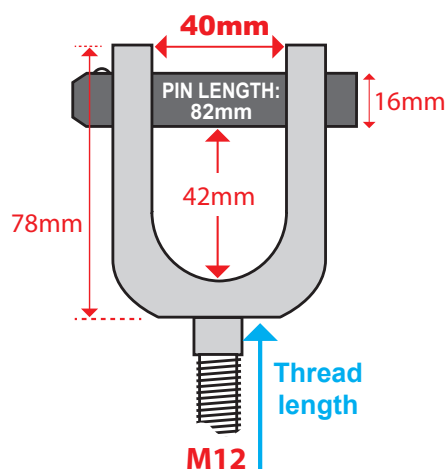
## M2008 / Hydraulic M20 HEAVY DUTY CLEVIS



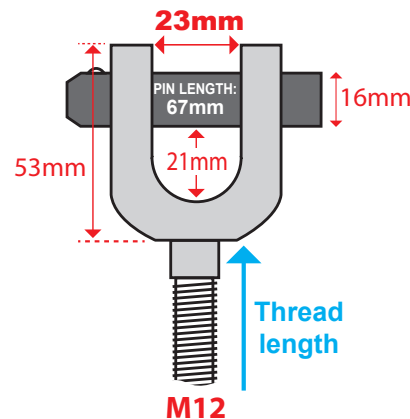
Supplied with  
M20 Hex Nut Full.

**SKU: 161-019**  
(Rated to **145kN** max)

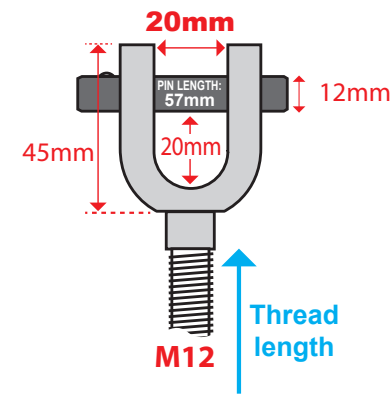
## M2000/M2050 Range M12 RINGBOLT ADAPTOR CLEVIS



161-027 90mm Thread SWL 25kN  
TBC tbc Thread SWL 25kN  
161-029 120mm Thread SWL 50kN



161-026 90mm Thread SWL 25kN  
TBC 135mm Thread SWL 25kN  
161-028 120mm Thread SWL 50kN



161-024 90mm Thread SWL 25kN  
161-025 100mm Thread SWL 25kN  
161-038 135mm Thread SWL 25kN

Key: 90mm = Threadpiece length  
161-019 = SKU

Scaffold = Tester Model

SWL = Safe Working Load