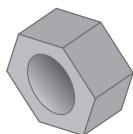
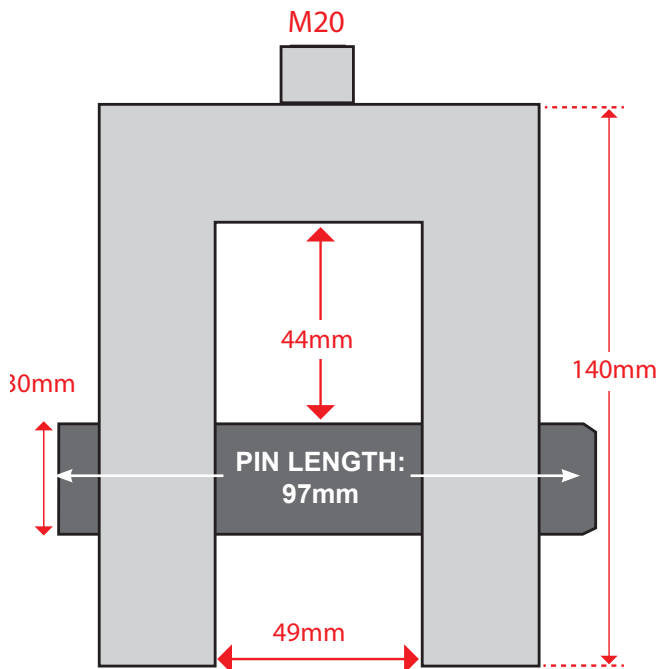


HYDRAJAWS® CLEVIS RANGE AND SIZES



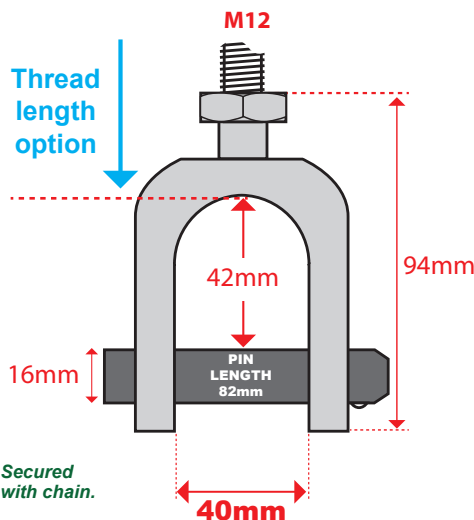
M2008 / Hydraulic M20 HEAVY DUTY CLEVIS



SKU: 161-019
(Rated to **145kN** max)

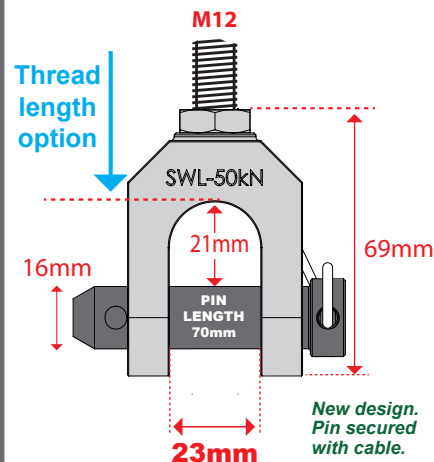
Supplied with
M20 Hex Nut Full.

M2000/M2050 Range M12 RINGBOLT ADAPTOR CLEVIS



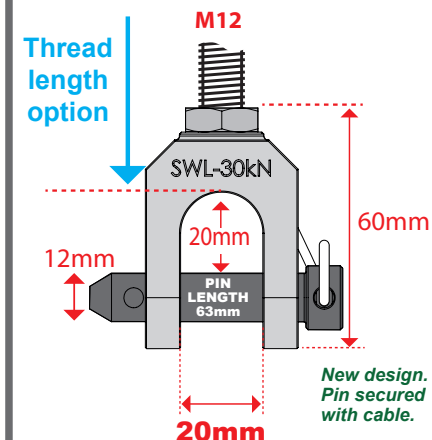
Secured
with chain.

SKU
161-027 90mm Thread SWL 50kN
161-029 120mm Thread SWL 50kN



New design.
Pin secured
with cable.

SKU
161-026 90mm Thread SWL 50kN
161-028 120mm Thread SWL 50kN
161-072 135mm Thread SWL 50kN



New design.
Pin secured
with cable.

SKU
161-024 90mm Thread SWL 30kN
161-025 100mm Thread SWL 30kN
161-038 135mm Thread SWL 30kN

Key:



= Threadpiece length

SWL = Safe Working Load

SKU = stock keeping unit