

Insulation Adaptor

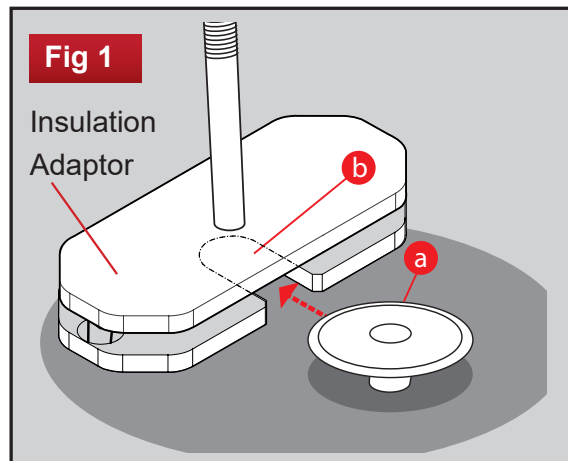
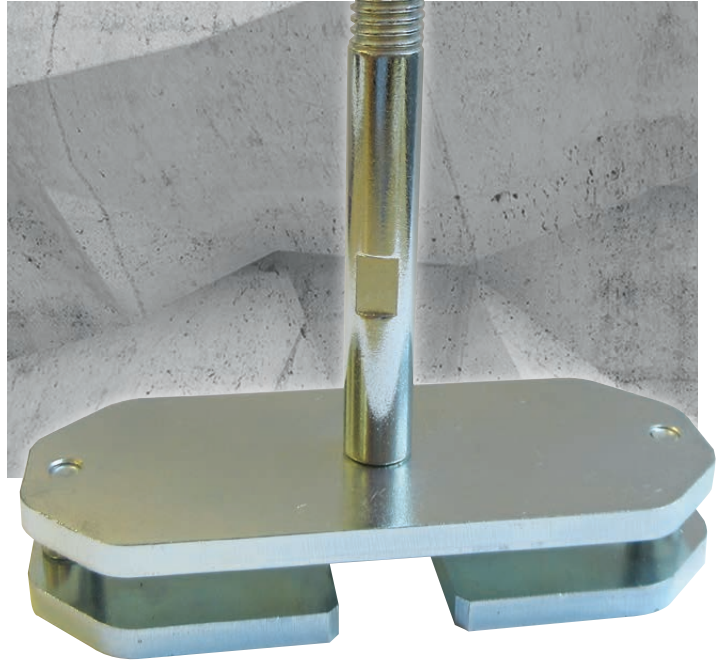
M2000 Tester

Insulation adaptor - SKU 161-060

Remove the insulation around the fastener.

Mount the locking adaptor into the tester. Thread the insulation adaptor into the locking adaptor fully then back off until horizontal.

By holding the tester, slide the head of the insulation fastener (a) between the two plates with the stem of the fixing resting in the slot in the lower plate (b) and adjust the legs on the load spreading bridge to suit the base material. Ensure that the pull-out force acts along the axis of the fixing being tested (fig 1).



For the new M2000 Tester



Model 2000 Tester (Pre April 2020)

Insulation adaptor - SKU 161-017

Remove the insulation around the fastener.

Mount the locking adaptor into the tester. Thread the insulation adaptor into the locking adaptor fully then back off until horizontal.

By holding the tester, slide the head of the insulation fastener (a) between the two plates with the stem of the fixing resting in the slot in the lower plate (b) and adjust the legs on the load spreading bridge to suit the base material. Ensure that the pull-out force acts along the axis of the fixing being tested (fig 2).

