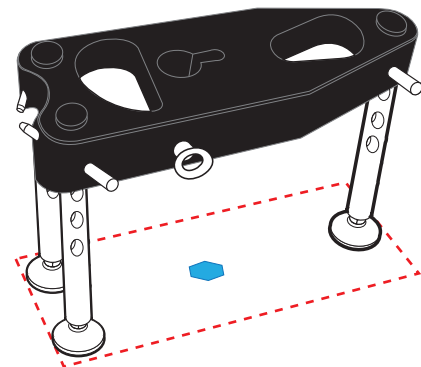
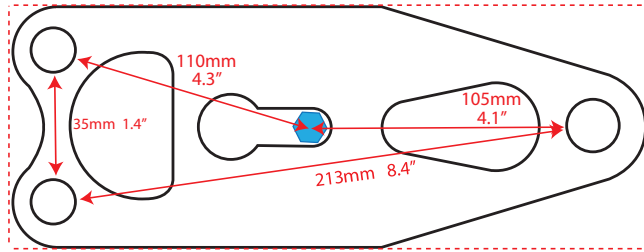
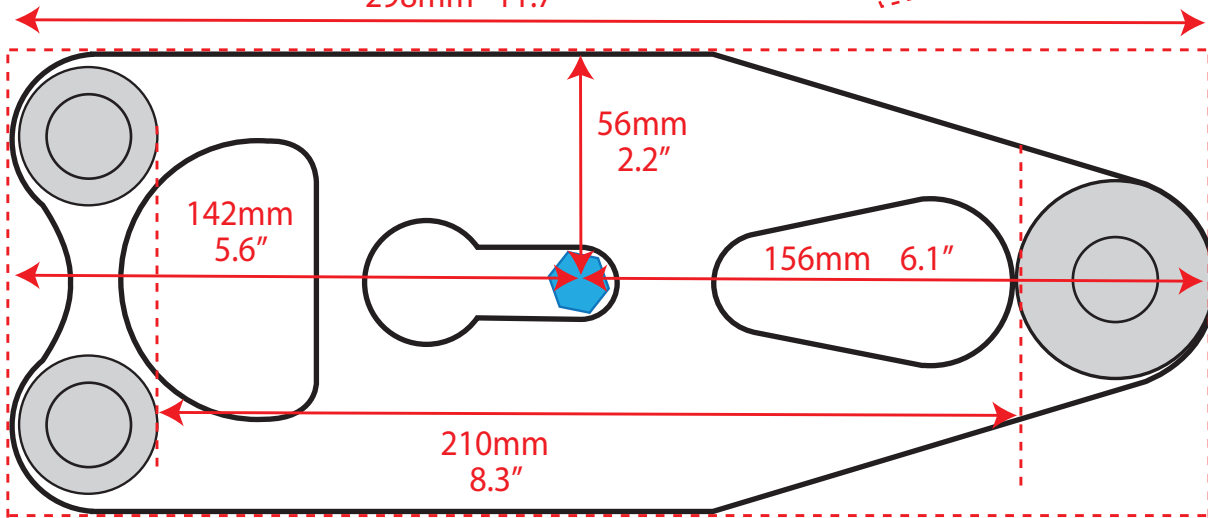


M2050 Bridge

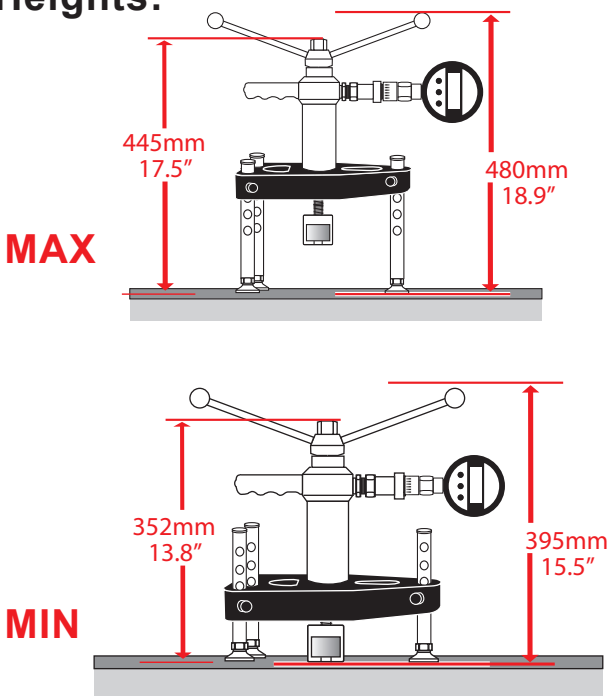
Footprint measurements



298mm 11.7"



Heights:



For example:

Min distance from centre of fixing to wall is approx. 58mm (2.3")

Tester legs & Tester body

