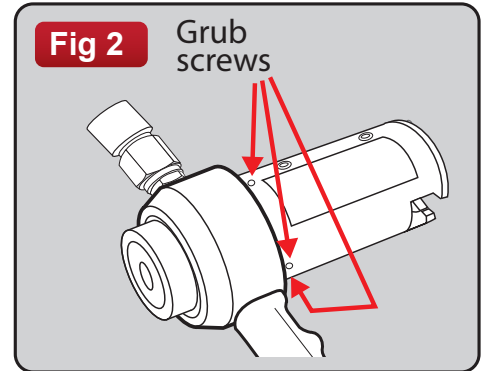
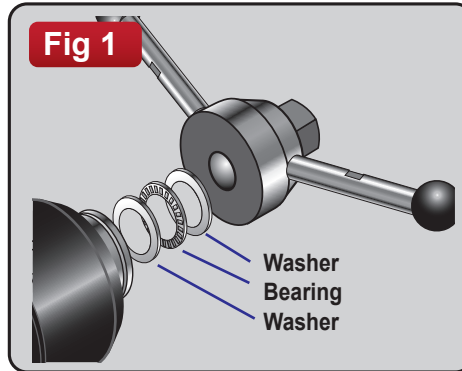


Oil Refilling method 2

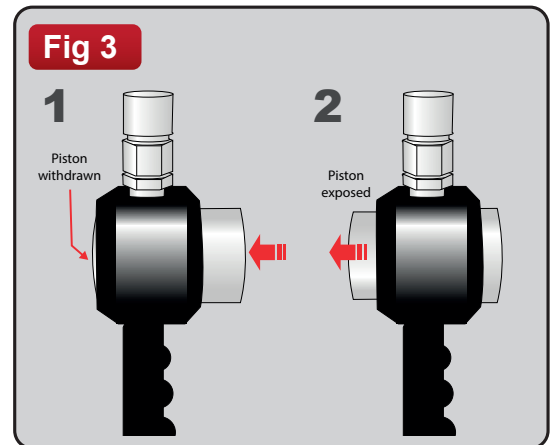
(if piston is withdrawn into the hydraulic capsule)

1. Remove the top handle by unscrewing it. Be careful to retain the washer assembly comprising of 2 washers and a bearing (fig 1).
2. Remove the red body by unscrewing the 3 grub screws (fig 2).



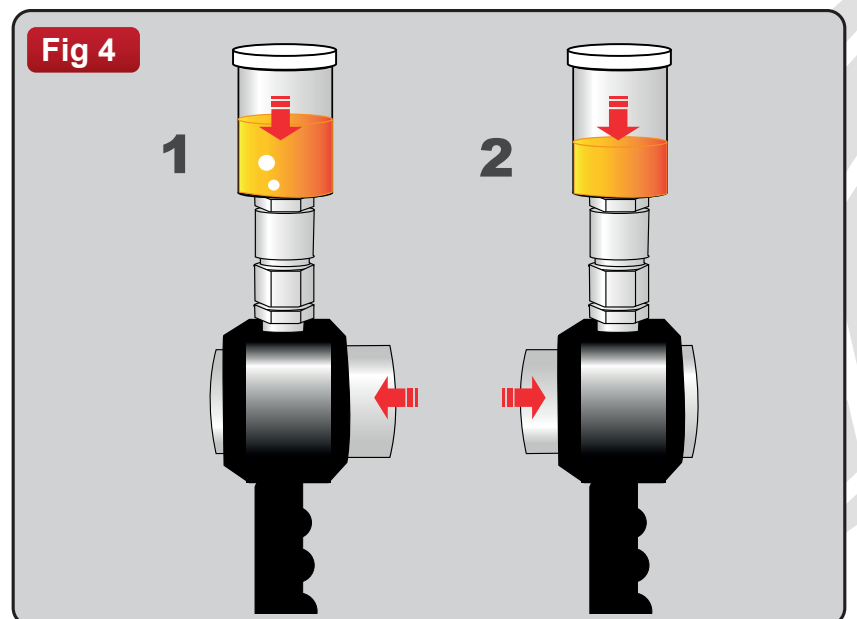
If preferred, the piston can now be exposed by pushing from the other side (fig 3) and the normal method of refilling can be performed after reconnecting the handle and body.


3. Connect the oil bottle (in an upright position) via the quick release coupler.
4. Loosen bottle cap marginally to allow air flow.
5. Whilst keeping the vertical position, pump oil from the bottle into the hydraulic capsule by pushing on either side alternately. Repeat until all the air bubbles are expelled into the bottle, the oil is replenished, and the piston is approx 12mm exposed (fig 4).



! *Ensure not to pull the piston out further than 15mm.*

7. Tighten the bottle cap and remove the oil bottle.
8. Reconnect the body and the handle.



 Recommended oil: **Light Mineral DTE Type**